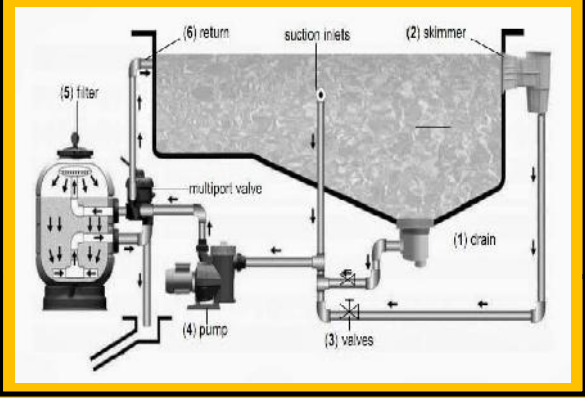
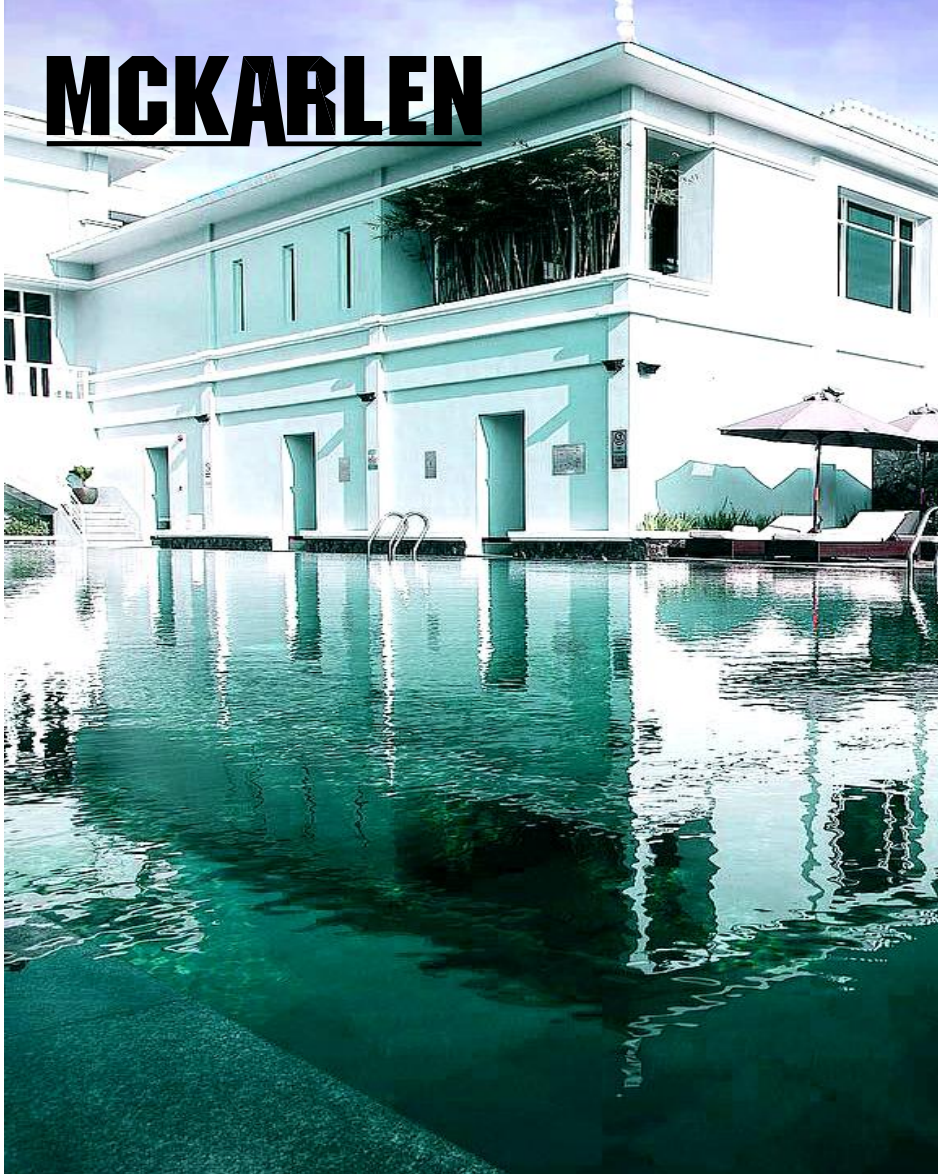


MCKARLEN



SWP

SUPER LARGE AMOUNT OF WATER SWIMMING POOL

SWP pumps are often used in many buildings, apartments, villas, school swimming pools or high-end resorts, often for pumping clean water, pumping salt water is both economical and convenient, specialized. used for swimming pools, circulating water pumps in the tank ... help filter and clean water, pumps can self-priming so customers use and can be used within 24 hours.

FEATURE

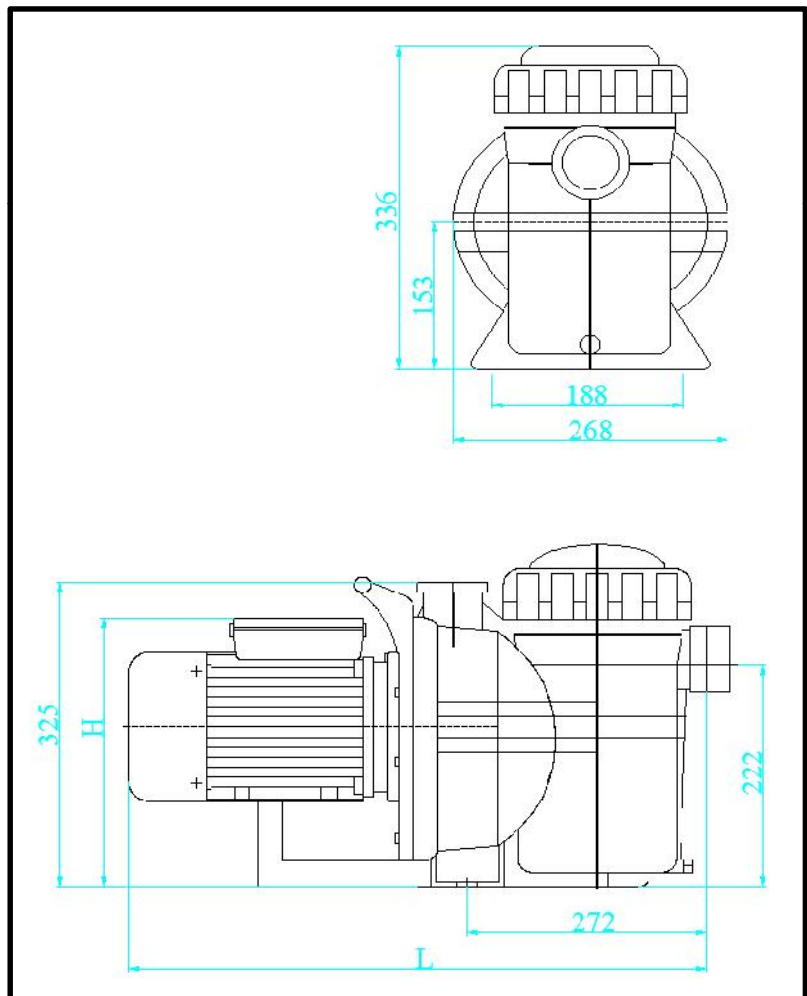
- High quality engineering grade plastic steel material
- Large flow design, efficient work
- More comfortable water environment
- Large flow design, efficient work
- Motor grade F, Improve durability
- Union design, easy to clean and install
- Maximum suction: 2.5M

DIMENSION

Dimenison		
Model	L	H
	mm	mm
SWP-10	603	264
SWP-20	603	267
SWP-30	-	-
SWP-40	640	288

APPLICATION

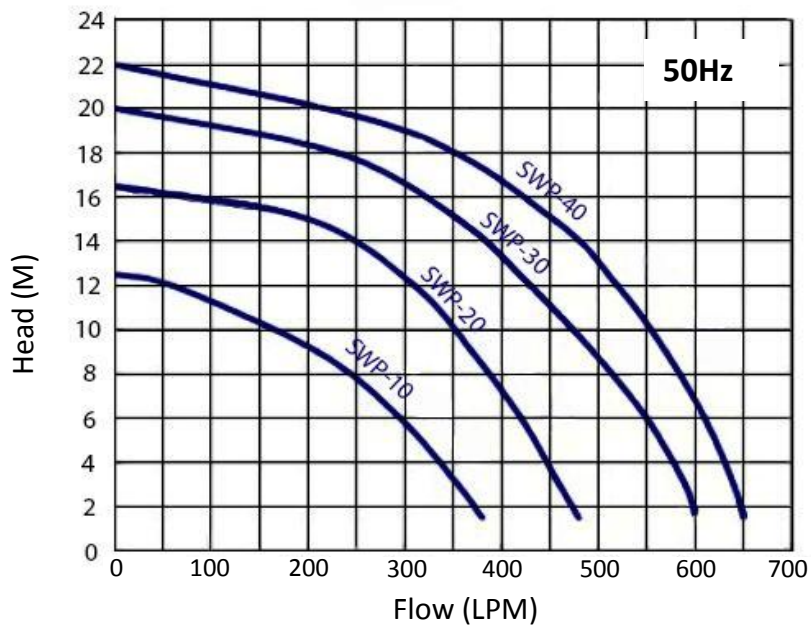
- Circulating water sytem
- Aquaclture circulating water filtration
- Swimming pool pump Pool and SPA sytem



SPECIFICATION

Model	Output		Outlet		Max flow (LPM)	LPM Flow @ Head					Max Head (M)	Weight (Kg)
	HP	kW	mm	inch		3M	8M	9M	12M	15M		
SWP - 10	1	0.75	50	2"	380	355	295	210	60	-	12.5	15.8
SWP - 20	2	1.5	50	2"	480	460	420	370	310	310	16.5	18.8
SWP - 30	3	2.2	50	2"	800	590	550	495	430	355	20	22
SWP - 40	4	3	50	2"	850	640	610	570	520	450	22	25.3

CURVE



MCKARLEN

www.mckarlen.vn

MCKARLEN LIMITED (UK)

All information correct as of April, 2020. All specifications are subject to change without notice.