

NDV



IMPELLER

VERTICAL HEAVY DUTY SAND PUMPS

SECTION VIEW

Build in motor over load thermal relay protector

Double Mechanical seal with SIC material

Motor is IP 68, F-class design.

Oiless ball bearing for high temperature environment

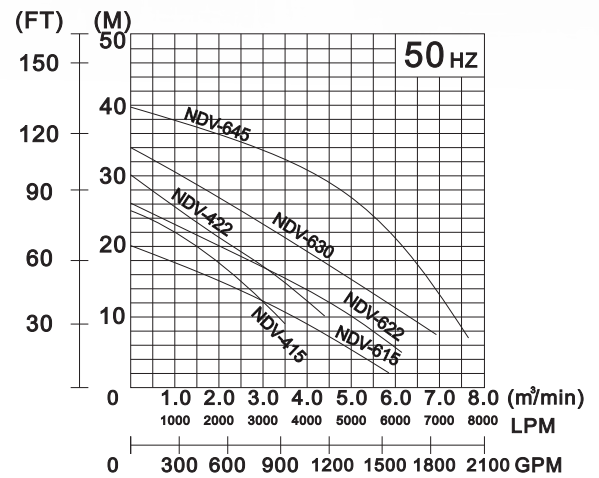
The material of the impeller and the suction cover are hi- chrome steel with high fluid efficient and endurable design.

IMPELLER

APPLICATIONS



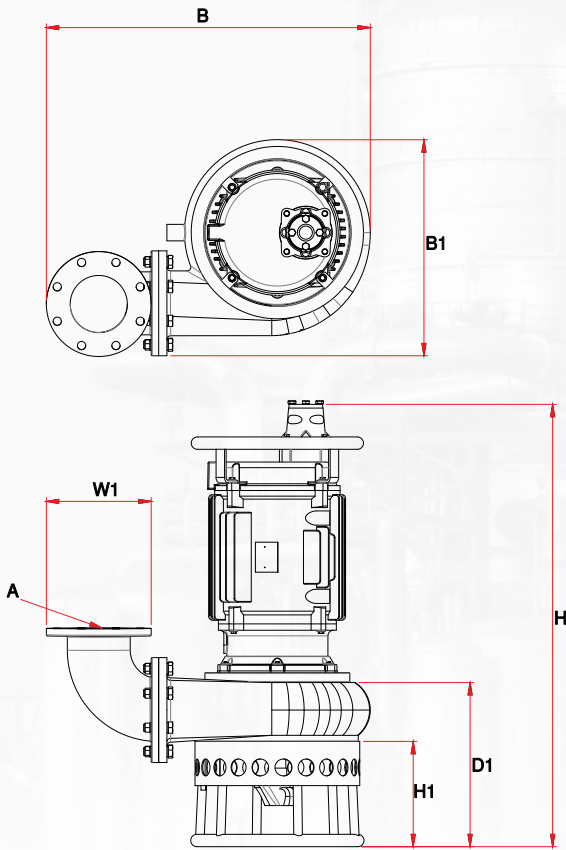
CURVE



SPECIFICATION

Model	Outout		Outlet		Pass Solid (mm)	Pole (P)	Max Flow (LPM)	LPM Flow @ Head					Max Head (m)
	HP	Kw	inch	mm				10M	15M	20M	25M	30M	
NDV- 415	20	15	4"	100	40	4P	3500	3400	2500	1500	-	-	25
NDV- 615	20	15	6"	150	40	4P	5800	3700	2100	-	-	-	20
NDV- 422	30	22	4"	100	40	4P	4400	4400	3500	2300	1300	-	30
NDV- 622	30	22	6"	150	40	4P	6200	5000	3800	2000	400	-	26
NDV- 630	40	30	6"	150	40	4P	6900	6700	5100	3800	2500	600	34
NDV- 645	60	45	6"	150	40	4P	7600	7550	6700	6200	5200	3500	39

DIMENSION



MATERIAL

	NDV
DISCHARGE CONNECTION (MM)	HOSE COUPLING
SOLIDS PASSAGE (MM)	40
IMPELLER TYPE	OPEN IMPELLEE HCR
SUCTION COVER	HCR
OIL SEAL	NBR
LABYRINTH RING	NBR
CASING	FC 200
SHAFT SEAL	SUS 304
AGITATOR	HCR
MOTOR TYPE	INDUCTION MOTOR
PHASE	3
POLE	4
INSULATION GRADE OF SILICON STEEL	F
STARTING METHOD	D.O.L
MOTOR PROTECTOR (BUILT-IN)	AUTO THEMAL PROTECTOR
LUBRICANT (ML)	2600 / 3300
LUBRICANT TYPE	RUPEDL RU-AW46
FRAME	FC 200
SHAFT SEAL	SUS 410
CABLE (M)	10M
CABLE TYPE	2 CT
AUTOMATIC CONTROL DEVICE	-

Model	A	B	B1	D	H	H1	W
NDV- 415	100	670	500	307	1030	230	210
NDV- 615	150	370	500	307	1030	230	280
NDV- 422	100	830	580	450	1120	260	280
NDV- 622	150	830	580	450	1120	260	280
NDV- 630	150	872	577	435	1233	281	280
NDV- 637	150	943	612	514	1362	290	280
NDV- 645	150	943	612	514	1412	290	280

WWW.MCKARLEN.VN

MCKARLEN